

MS-90B15FM

Coming Soon

MS-9015FM-WIRE

Coming Soon

MS-90B13FM



MS-9013FM-WIRE



MS-90B05FM



MS-9005FM-WIRE

Coming Soon

MS-9004FM



MS-90Y4FM

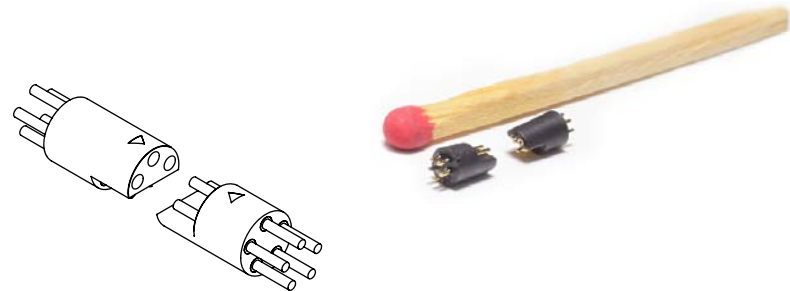
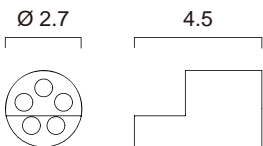


MS-90Y4FM-WIRE

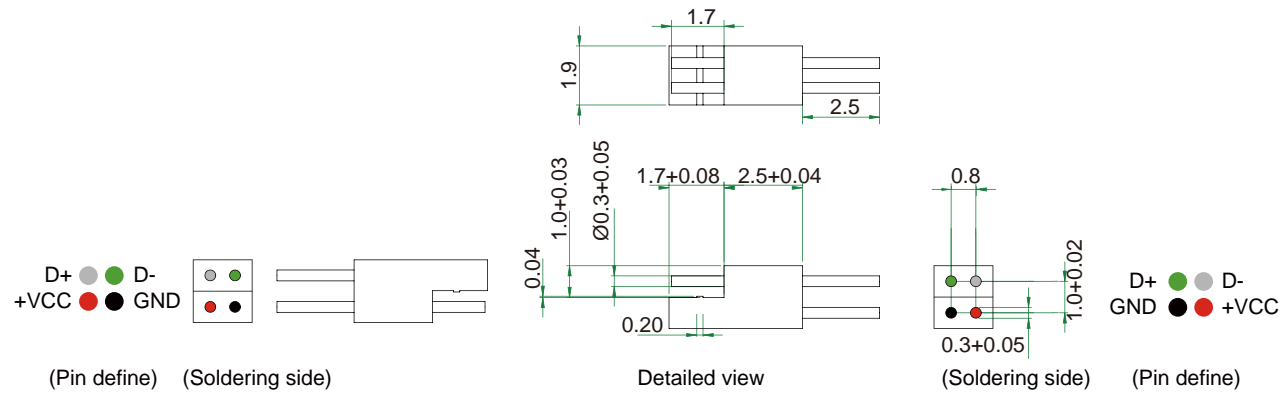


**5 PIN CONNECOTR** Unit: ± 0.5 mm

MS-9005FM  
Male & Female



**4 PIN CONNECOTR** Unit: ± 0.5 mm

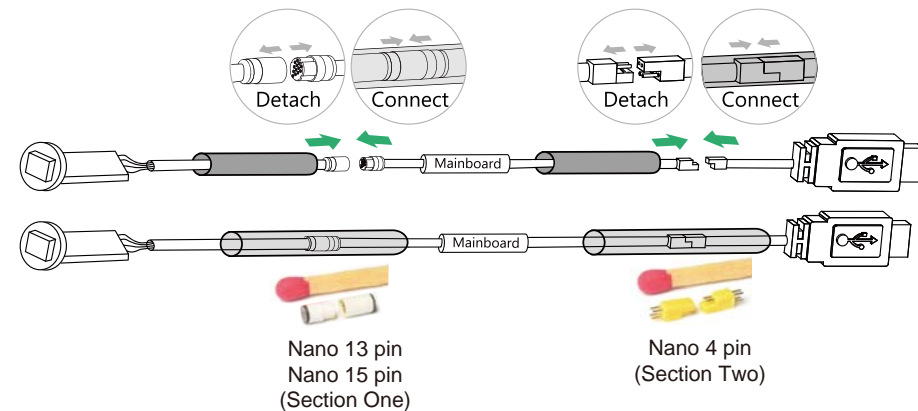


**APPLICATION**

**Detachable Nano Connectors** (Customize Option)

Specifically designed to overcome the big size of connector and camera head.

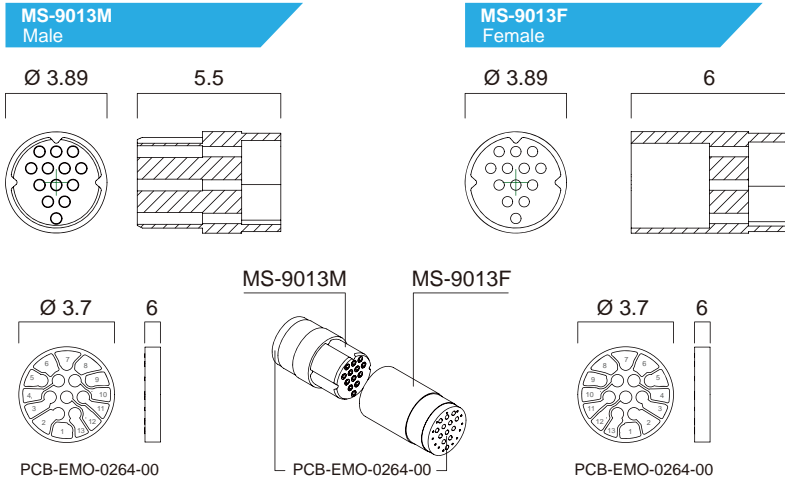
✓ With detachable Nano connectors  
A bigger size tube can go through the thin cable from halfway.



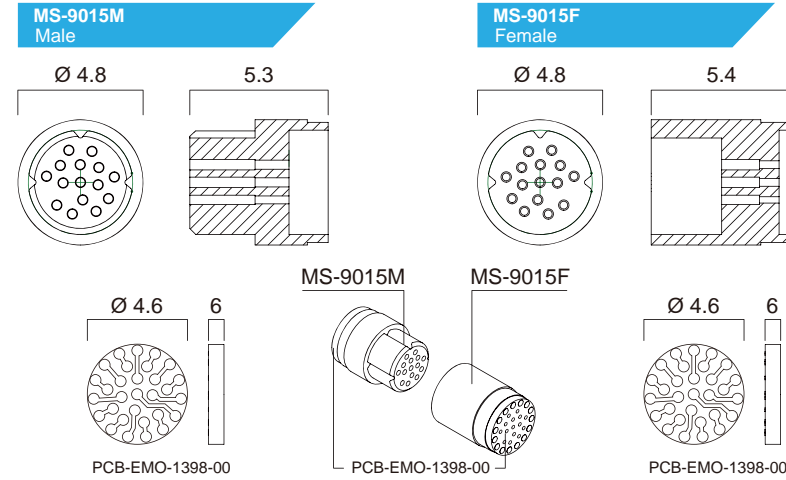
✗ Without detachable Nano connectors  
Camera head cannot go through the bigger tube.



**13 PIN CONNECOTR** Unit: ± 0.5 mm



**15 PIN CONNECOTR** Unit: ± 0.5 mm

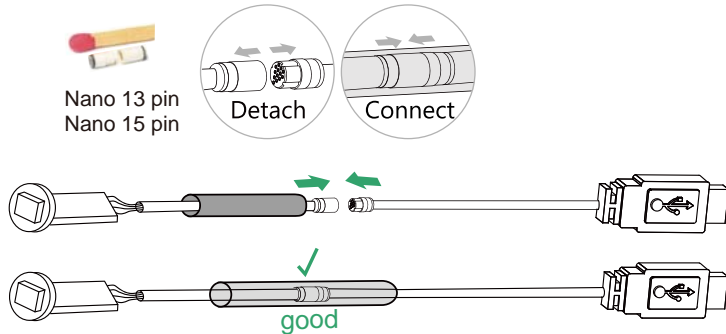


**APPLICATION**

**Detachable Nano Connectors** (Customize Option)

Specifically designed to overcome the big size of connector and camera head.

- ✓ With detachable Nano connectors.  
A bigger size tube can go through the thin cable from halfway.



- ✗ Without detachable Nano connectors.  
Camera head cannot go through the bigger tube.



**MS-9015F-WIRE**

| SERIES       | CONNECTOR          | END TYPE                | DISPLAY  |
|--------------|--------------------|-------------------------|--|
| MS Accessory | <b>Nano 4 Pin</b>  | <b>All Pin</b>          | <b>N/A</b> No wires<br><b>WIRE</b> 15 cm wires |
|              | <b>9004</b> Orange | <b>F</b> Female         |  |
|              | <b>90Y4</b> Yellow | <b>M</b> Male           |  |
|              | <b>Nano 5 Pin</b>  | <b>FM</b> Female + Male |  |
|              | <b>9005</b> White  |                         |  |
|              | <b>90B5</b> Black  |                         |  |
|              | <b>Nano 13 Pin</b> |                         |  |
|              | <b>9013</b> White  |                         |  |
|              | <b>90B13</b> Black |                         |  |
|              | <b>Nano 15 Pin</b> |                         |  |
|              | <b>9015</b> White  |                         |  |
|              | <b>90B15</b> Black |                         |  |

Insulator  
Thermoplastic per ROHS 2011/65/EU Annex II, (EU) 2015/863.

Contact material  
Pins - beryllium copper per astm b194, alloy c17200 socket-copper alloy permil-dtl-32139.

Contact Finish  
Gold Plate Per Astm B488, Type I (99.7% Gold minimum) Hard Gold.

Dimensions (mm) Unit: ± 0.5 mm  
 Nano 4 Pin 2.09 x 1.09 x 4.32  
 Nano 5 Pin 2.7 x 17.2  
 Nano 13 Pin Ø 3.89 x 9.5  
 Nano 15 Pin Ø 4.8 x 9.5